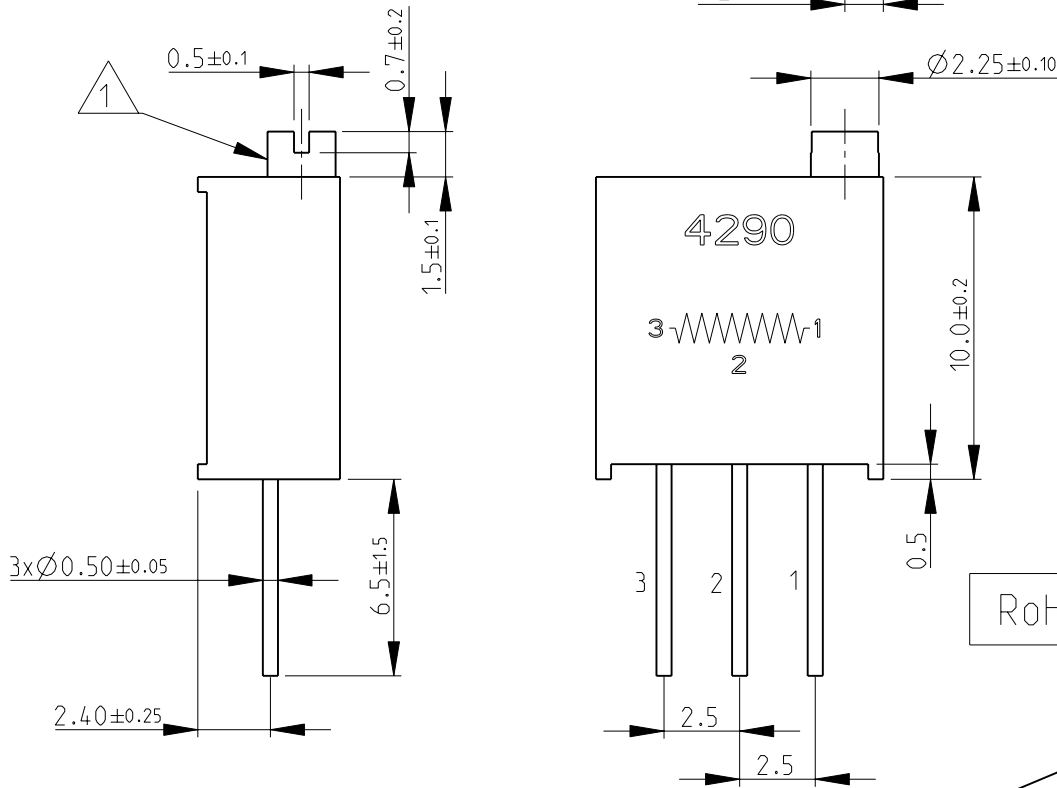
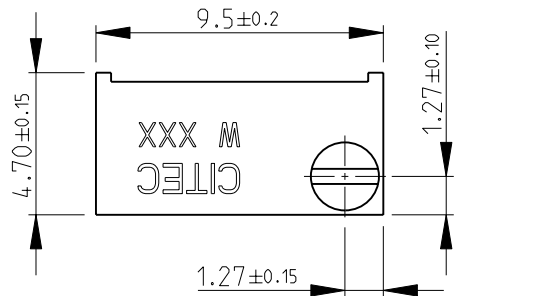
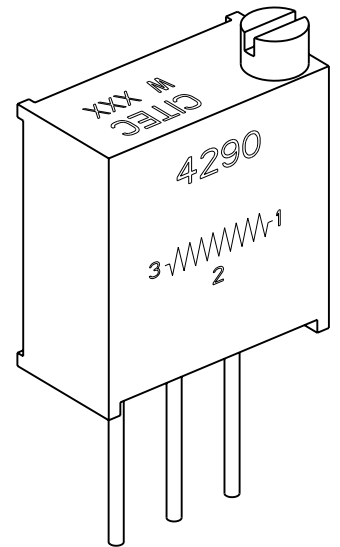


LOC	DIST	REVISIONS					
E	B	P	LTR	DESCRIPTION	DATE	DWN	APVD
			BA	NEW RELEASE	09-Sep-08	SM	St.P

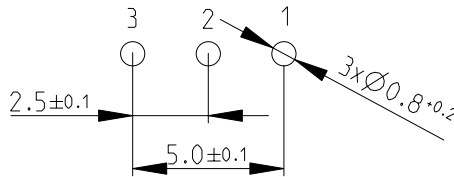


RoHS Compliant



- 1 TOP ADJUSTMENT SCREW
2 FOR FURTHER INFORMATION SEE DATA SHEET FOR 4290 SERIES-PROFESSIONAL TRIMMERS

PCB PIERCING PLAN



2008

RELEASED FOR PUBLICATION

THIS DRAWING IS UNPUBLISHED.

BY TYCO ELECTRONICS CORPORATION. ALL RIGHTS RESERVED. COPYRIGHT 2008

DIMENSIONS: mm	DWN	SUBHASH.M	09-Sep-08	MATERIAL	-	FINISH	-
	CHK	PRAKASH.S	09-Sep-08	Tyco Electronics Corporation Dorcan, Swindon, SN3 5HH			
TOLERANCES UNLESS OTHERWISE SPECIFIED:	APVD	STEPHEN.P	09-Sep-08				
	0 PLC	±0.5	PROFESSIONAL TRIMMERS				
1 PLC	±0.2	SERIES 4290W					
2 PLC	±0.1	SIZE					
3 PLC	±-	CAGE CODE					
4 PLC	±-	DRAWING NO					
ANGLES	±5°	RESTRICTED TO					
		WEIGHT		A 4		©=1623849	
CUSTOMER DRAWING				SCALE	4:1	SHEET	1 OF 1
				REV		BA	